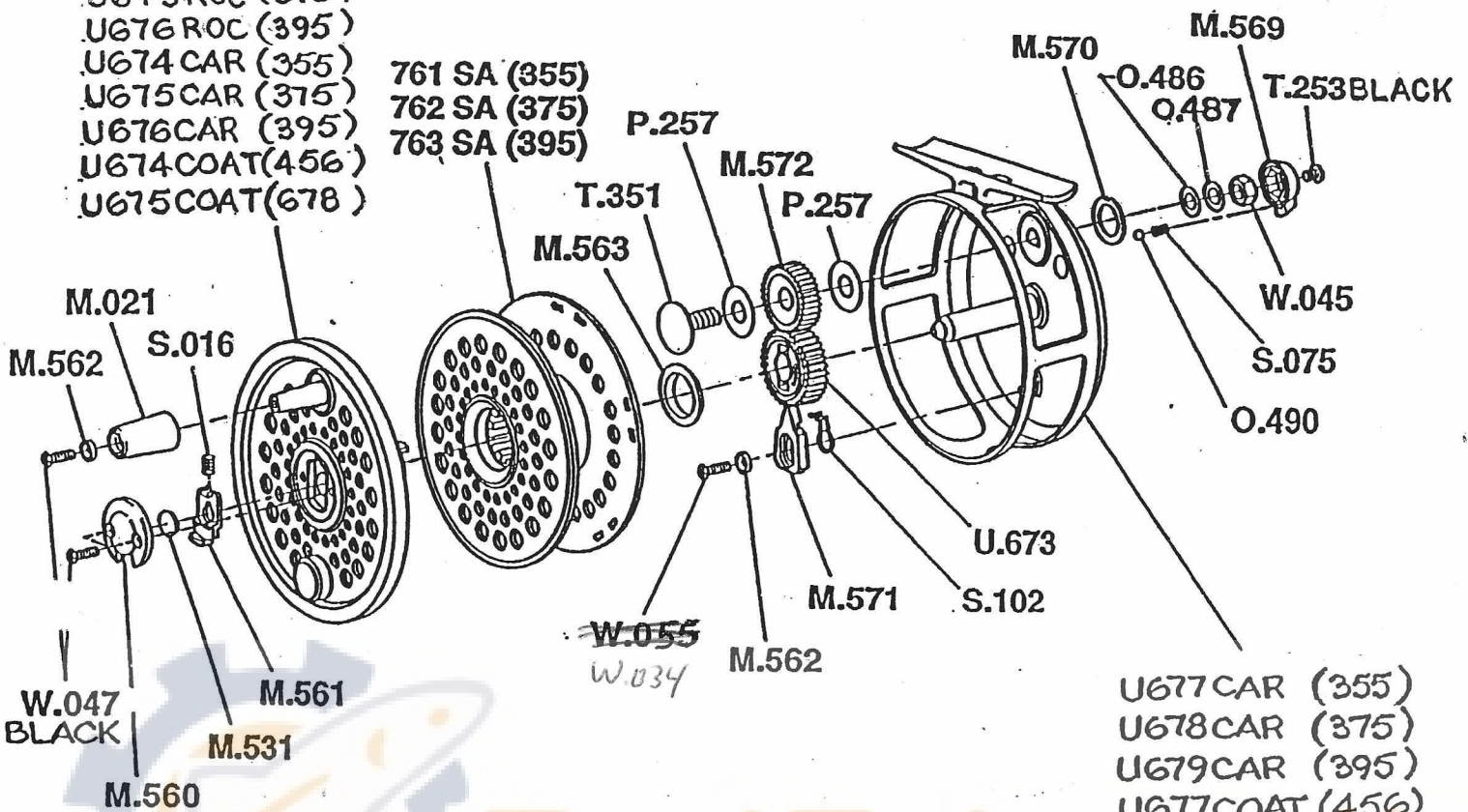


U674 ROC (355)
 U675 ROC (375)
 U676 ROC (395)
 U674 CAR (355)
 U675 CAR (375)
 U676 CAR (395)
 U674 COAT (456)
 U675 COAT (678)

761 SA (355)
 762 SA (375)
 763 SA (395)



U677 CAR (355)
 U678 CAR (375)
 U679 CAR (395)
 U677 COAT (456)
 U678 COAT (678)
 U677 ROC (355)
 U678 ROC (375)
 U679 ROC (395)

DRIVE GEAR SUB ASSEMBLY	U673
RATCHET WHEEL	C408
DRIVE GEAR BODY	M564
DRIVE GEAR COVER	M565
ANTI-REVERSE PAWL	P265
ANTI-REVERSE SPRING	S107

PRODUCT	REF	Nº	HANDLE PLATE	COUNTER-WEIGHT	SPOOL	BODY	FOOT	CENTRE SPINDLE
DRAGONFLY CONCEPT DISC	355	771P-UK	C435	T412	M557	C442	C434 & M574 CLIP	T409
	375	772P-UK	C436		M558	C443		T410
	395	773P-UK	C437		M559	C444		T411
DRAGONFLY CARTRIDGE	355	771P	C435		M557	C442		T409
	375	772P	C436		M558	C443		T410
	395	773P	C437		M559	C444		T411
COATAC CARTRIDGE	456	671P	C435		M557	C442		T409
	678	672P	C436		M558	C443		T410
ROCKY MOUNTAIN	3/4	555	C435		M557	C458		T409
	5/6	556	C436	M558	C459	T410		
	7/8	557	C437	M559	C460	T411		